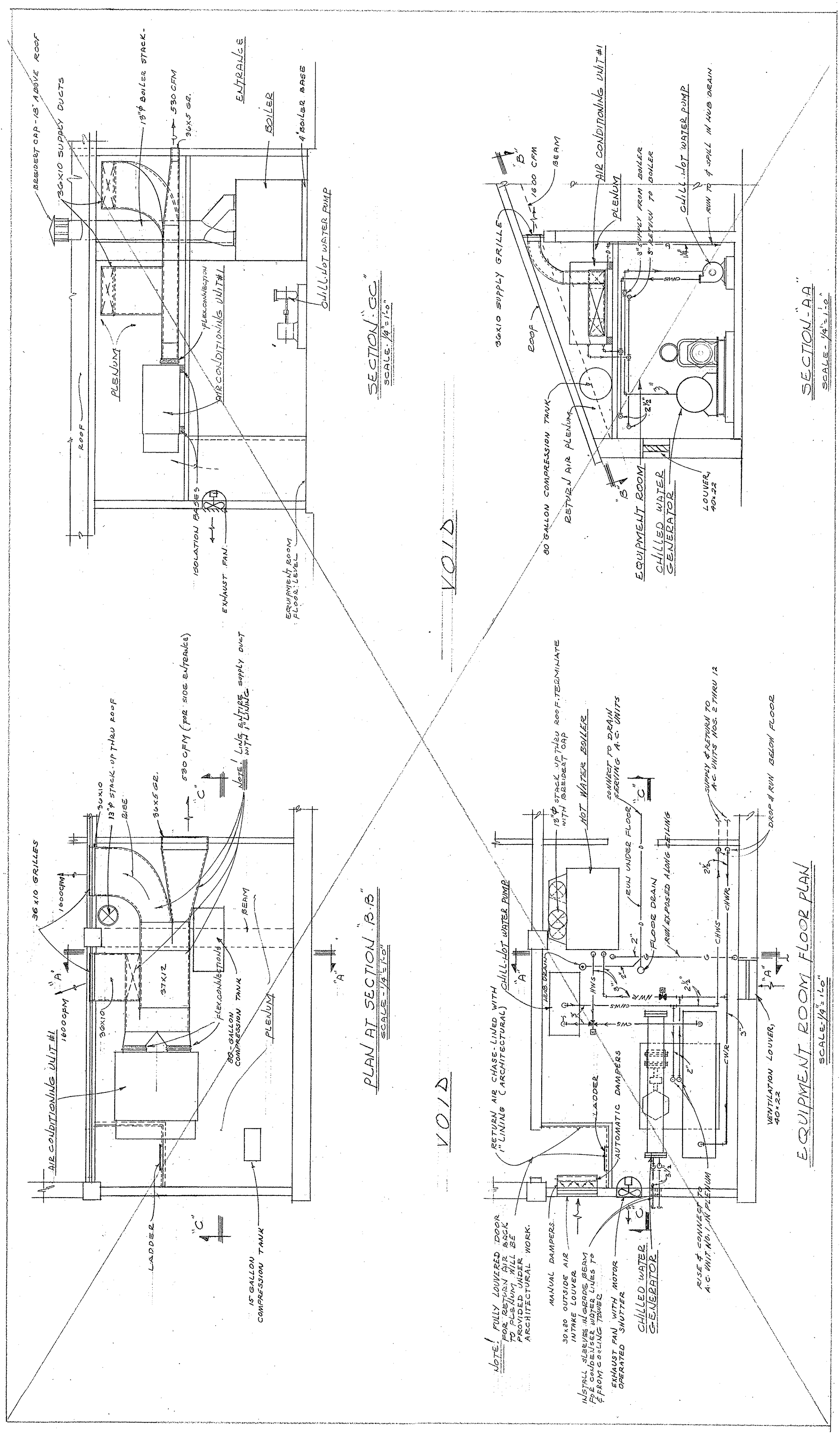


CONDENSER WATER PIPING DIAGRAM
1/8" SCALE

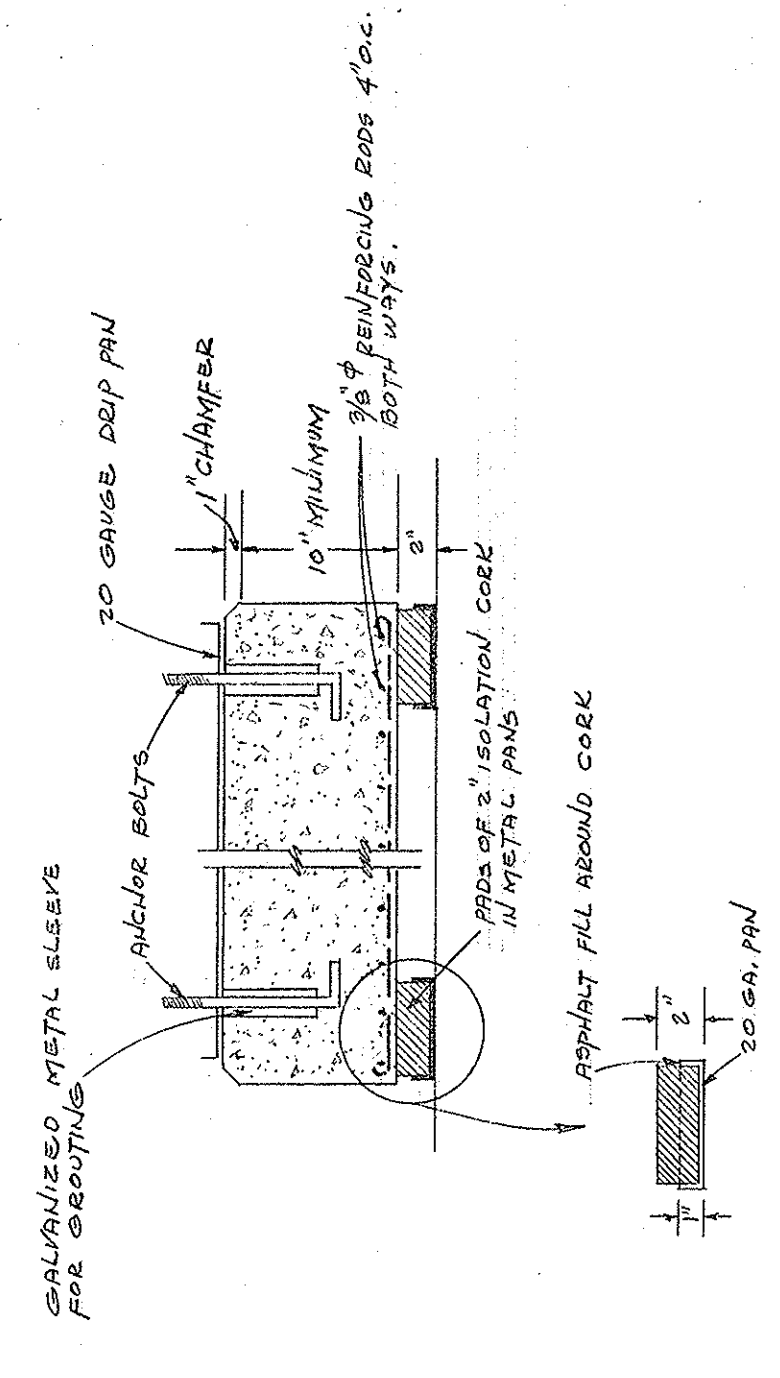
SCHEMATIC CHILL-HOT WATER PIPING DIAGRAM
1/8" SCALE



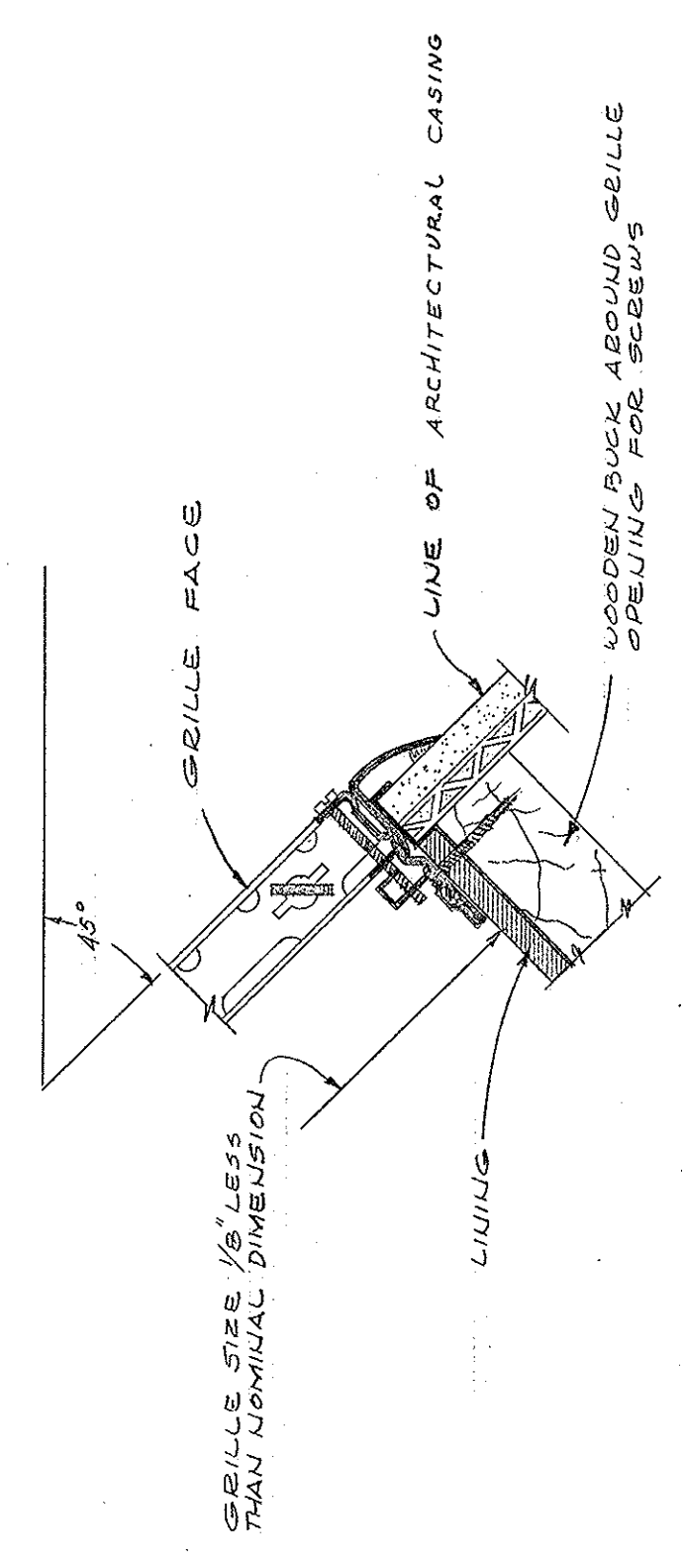
SECTION-AA
SCALE: 1/8" = 1'-0"

SECTION-CC
SCALE: 1/8" = 1'-0"

EQUIPMENT ROOM FLOOR PLAN
SCALE: 1/8" = 1'-0"



FOUNDATION DETAIL FOR PUMPS & CHILLED WATER GENERATING UNIT
1/8" SCALE



TYPICAL GRILLE INSTALLATION FOR UNITS NR 2-11
1/8" SCALE



DE LAUREL & MOSES
CONSULTING ENGINEERS
MECHANICAL & ELECTRICAL
302 NOLA BUILDING
NEW ORLEANS, LOUISIANA
BRAND 6/14/54 DATE 1/17/55 MEMBER: CHKO
NO. 733

SACRED HEART CHURCH
PINEVILLE LOUISIANA
REV. PAUL E. CONWAY PASTOR
BARRON, HEINBERG & BROCATO ARCHITECTS
1015 WISTERIA ST. ALEXANDRIA, LOUISIANA
JOB NO. 7408 DATE 2/17/55 SHEET M-2
DWN: CHKO
24-DJME-1963

AIR CONDITIONING